



REMOVEABLE FRONT PANELS (2 EACH) PROVIDES ACCESS TO THE DRIVE MECHANISM.

MANUAL CRANK INSERT LOCATION

UNIT CONTROL BOX

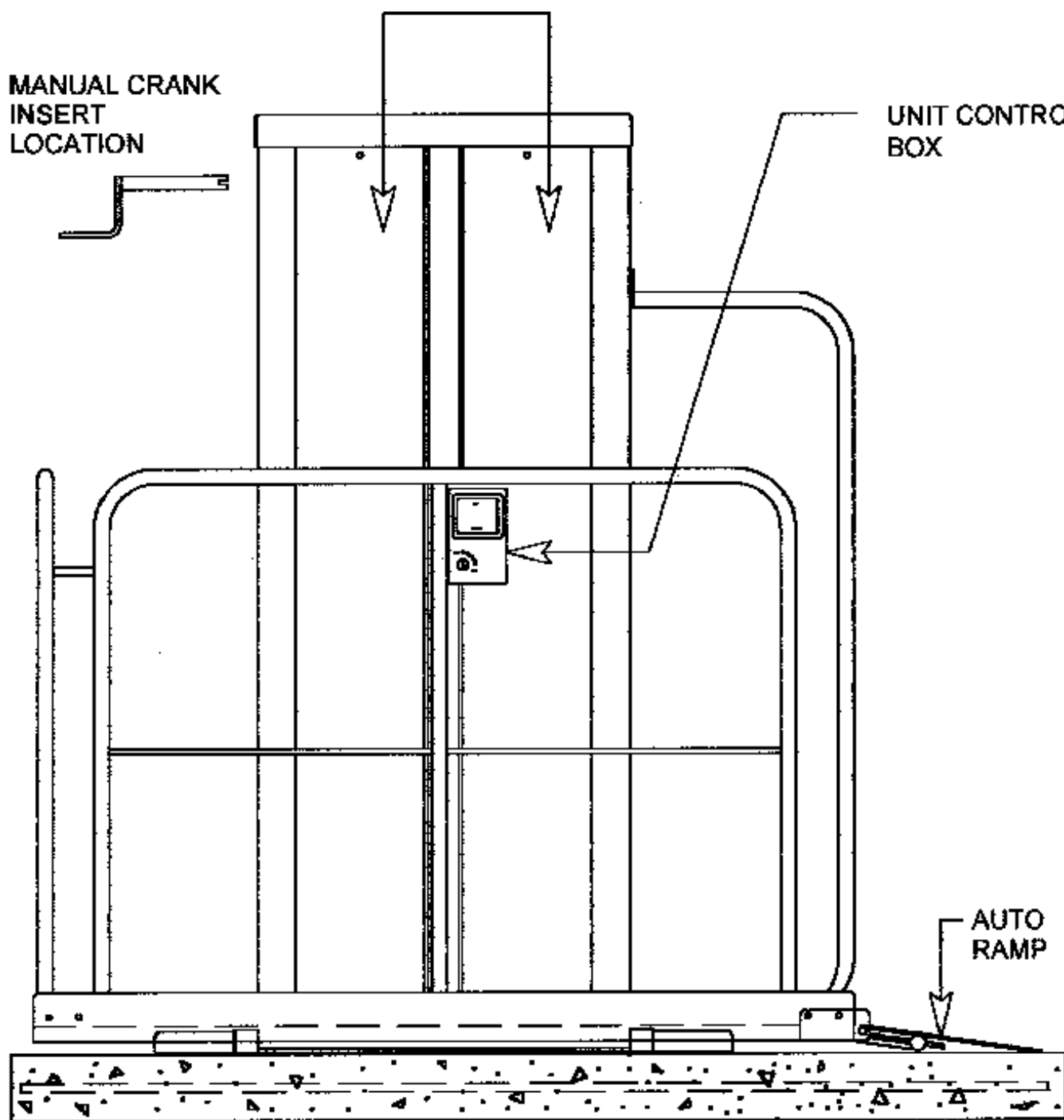
50" LANDING HEIGHT, MAXIMUM

AUTO RAMP

(SEE ANCHOR MOUNTING DETAIL)

4" THICK 3500LB PSI REINFORCED CONCRETE SLAB FOR MOUNTING  
PLATFORM LENGTH 54"; PLATFORM WIDTH 35 1/2"; RAMP LENGTH 12"

PL50 90 DEGREE PLATFORM FRONT ELEVATION



MANUAL CRANK  
INSERT  
LOCATION

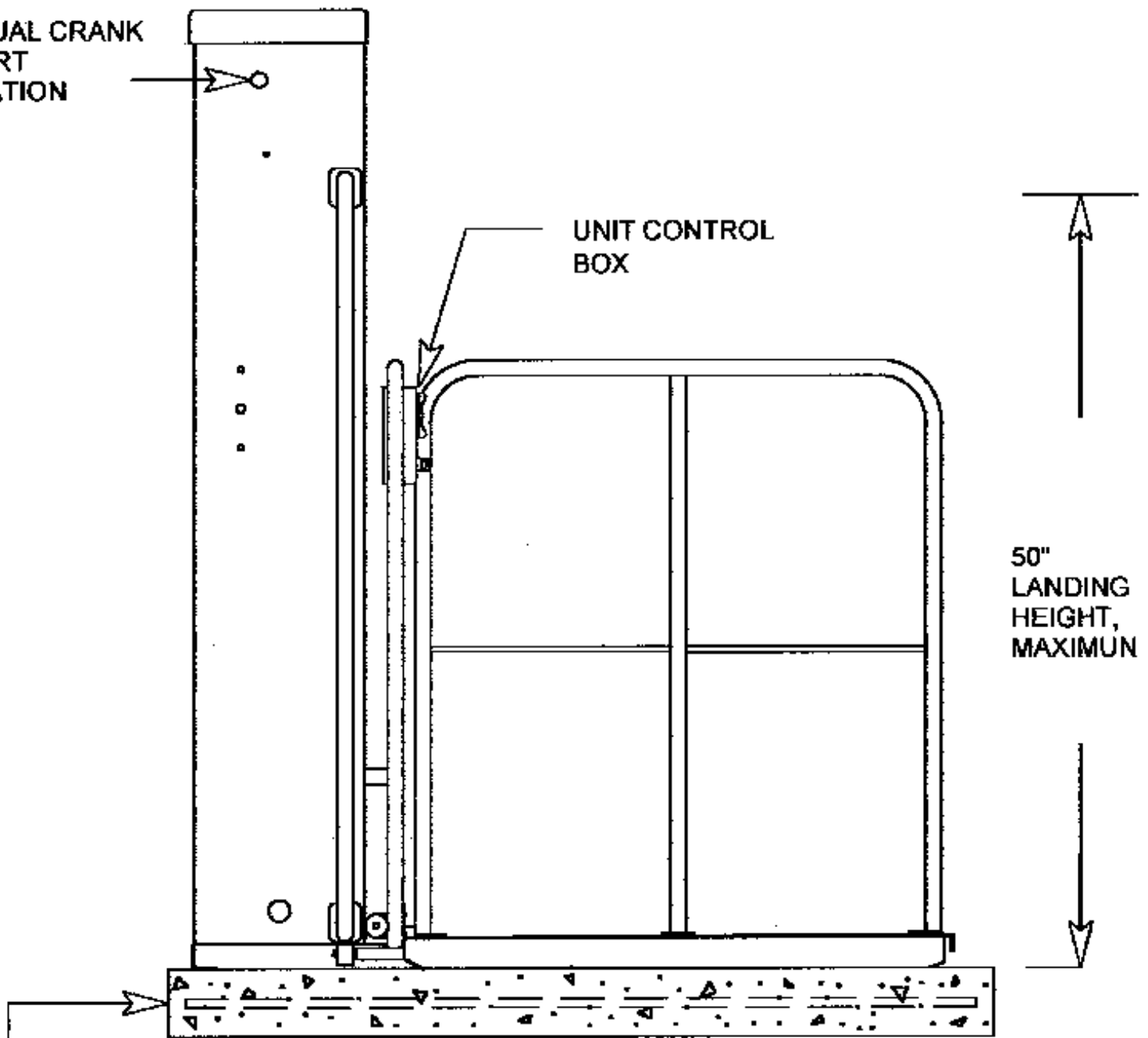
UNIT CONTROL  
BOX

50"  
LANDING  
HEIGHT,  
MAXIMUM

(SEE ANCHOR MOUNTING DETAIL)

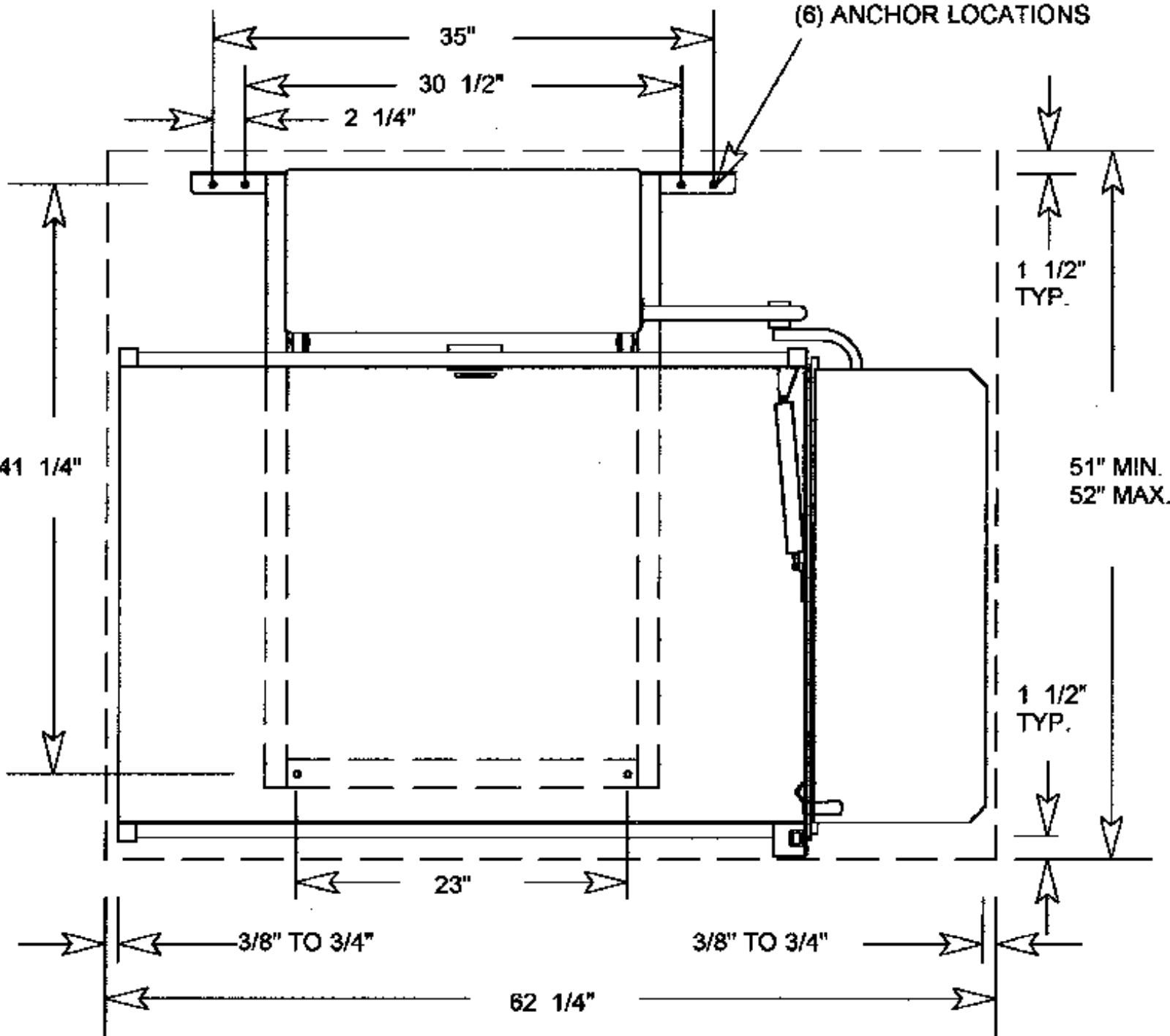
4" THICK 3500LB PSI REINFORCED CONCRETE SLAB FOR MOUNTING  
PLATFORM LENGTH 54"; PLATFORM WIDTH 35 1/2"; RAMP LENGTH 12"

PL50 90 DEGREE PLATFORM SIDE ELEVATION



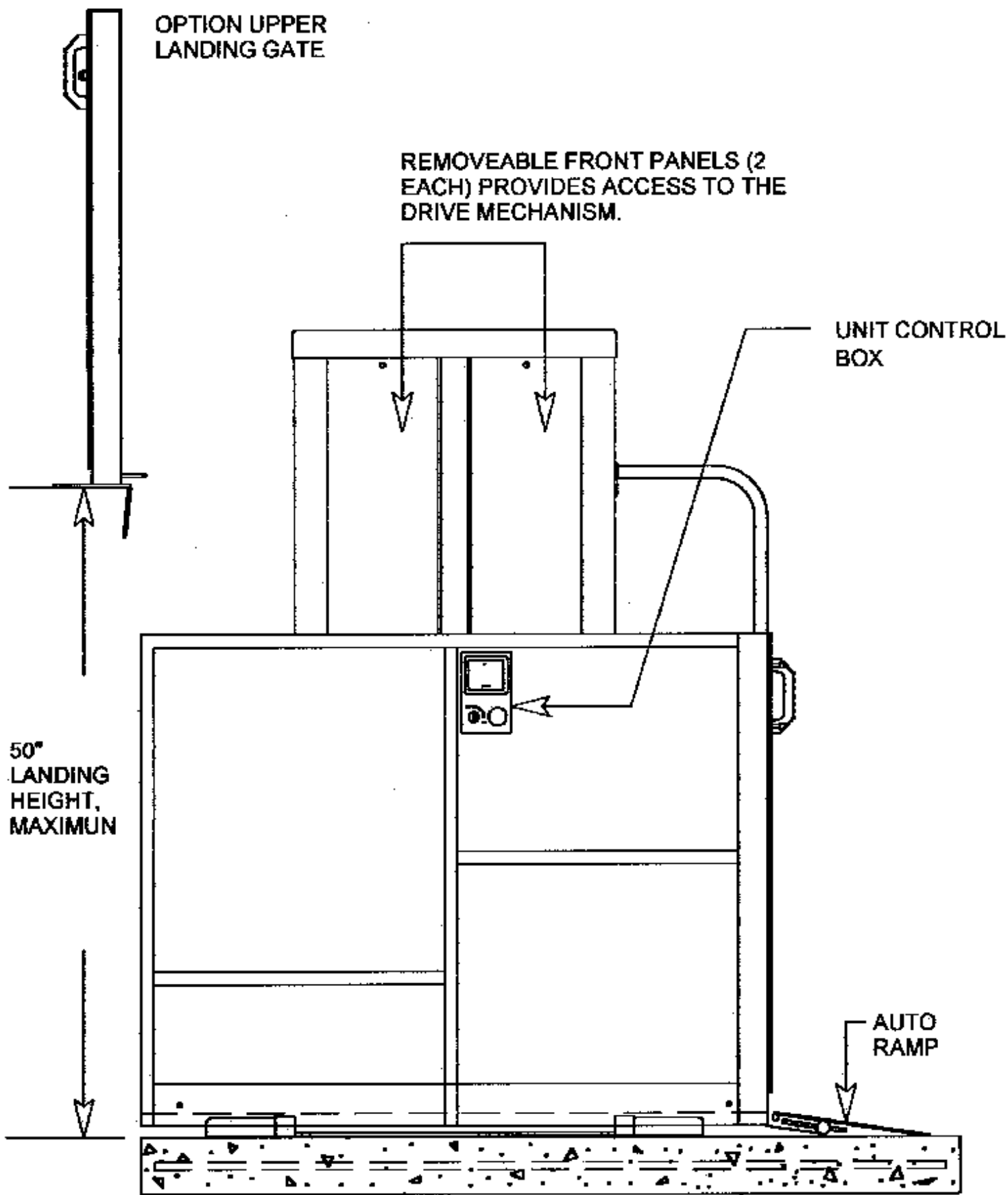
NOMINAL PIT DEPTH 2"

(6) ANCHOR LOCATIONS



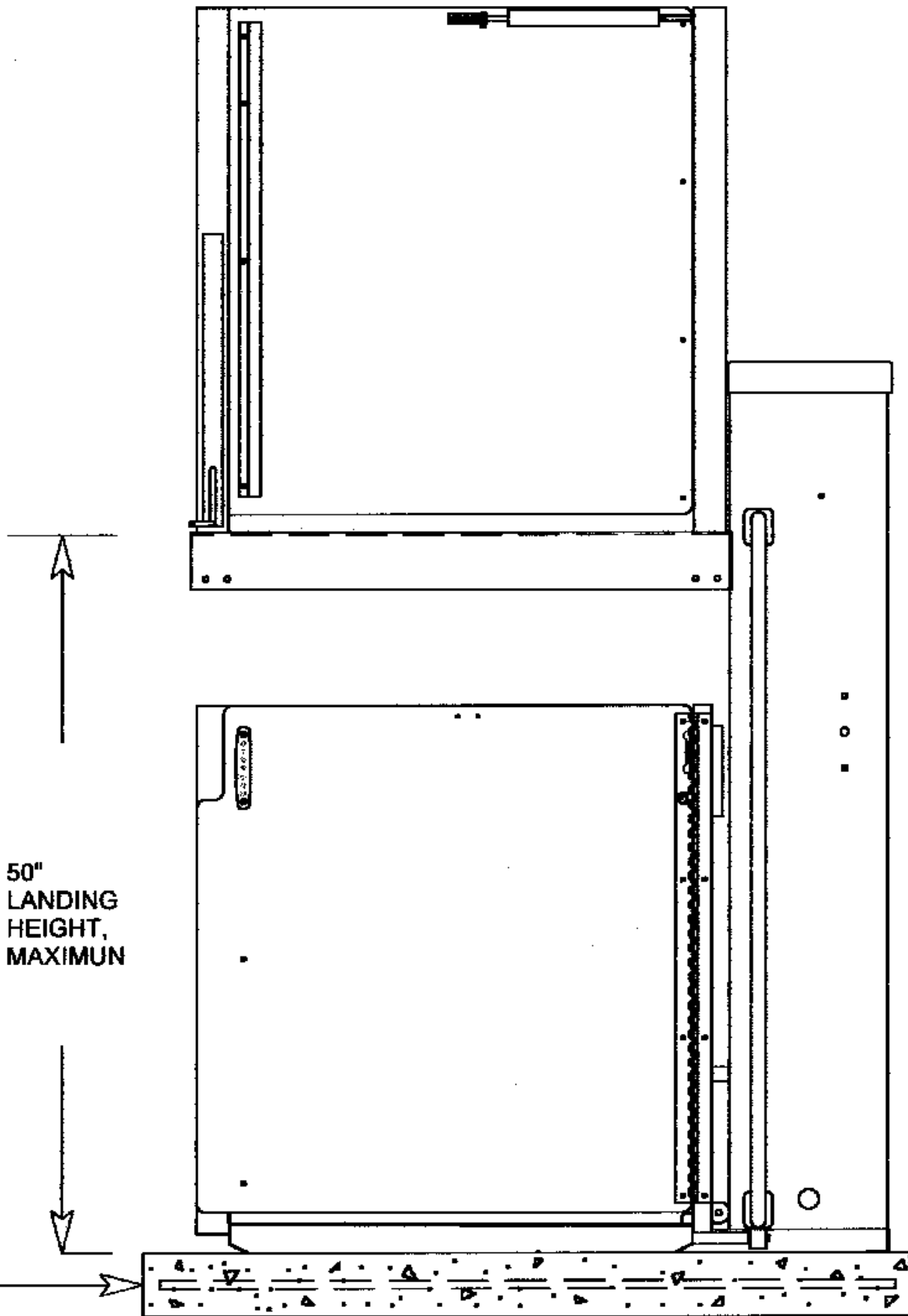
PLATFORM LENGTH 48"; PLATFORM WIDTH 32 1/4"; RAMP LENGTH 12"

PL50 FLOOR LAYOUT



(SEE ANCHOR MOUNTING DETAIL)

4" THICK 3500LB PSI REINFORCED CONCRETE SLAB FOR MOUNTING  
 PLATFORM LENGTH 48"; PLATFORM WIDTH 32 1/4"; RAMP LENGTH 12"  
 PL50 SOLID SIDE WITH PLATFORM GATE AND UPPER LANDING GATE  
 FRONT ELEVATION



50"  
LANDING  
HEIGHT,  
MAXIMUM

(SEE ANCHOR MOUNTING DETAIL)

4" THICK 3500LB PSI REINFORCED CONCRETE SLAB FOR MOUNTING

PLATFORM LENGTH 48"; PLATFORM WIDTH 32 1/4"; RAMP LENGTH 12"

PL50 SOLID SIDE WITH OPTION UPPER LANDING GATE SIDE ELEVATION



OPTION CALL-SEND  
CONTROLS  
(LOCATED BY  
INSTALLER)

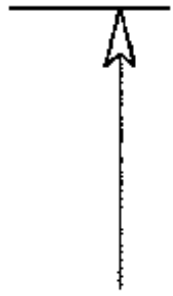
REMOVEABLE FRONT PANELS (2  
EACH) PROVIDES ACCESS TO THE  
DRIVE MECHANISM.

MANUAL CRANK  
INSERT  
LOCATION

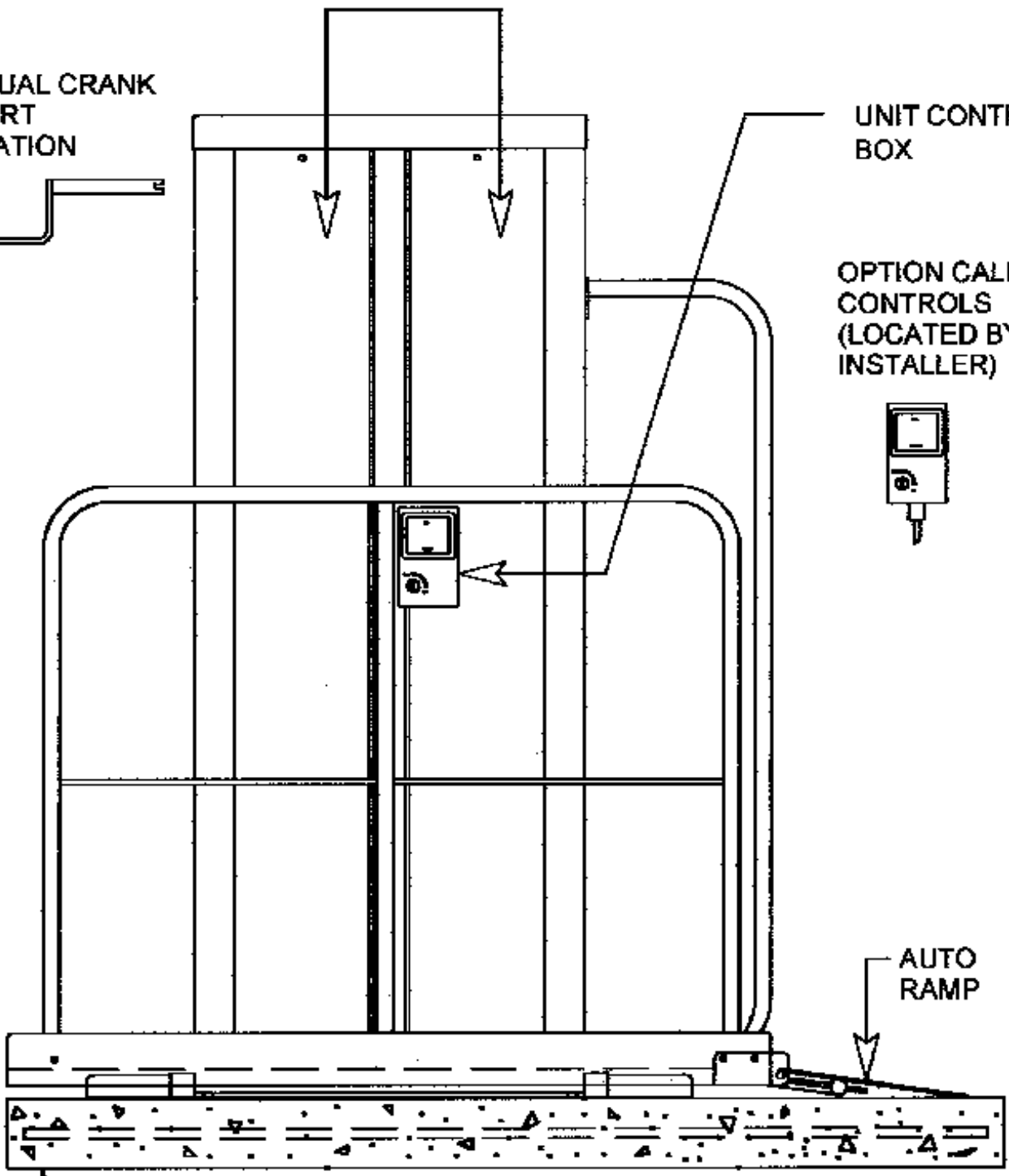


UNIT CONTROL  
BOX

OPTION CALL-SEND  
CONTROLS  
(LOCATED BY  
INSTALLER)



50"  
LANDING  
HEIGHT,  
MAXIMUN



AUTO  
RAMP

(SEE ANCHOR MOUNTING DETAIL)

4" THICK 3500LB PSI REINFORCED CONCRETE SLAB FOR MOUNTING

PLATFORM LENGTH 48"; PLATFORM WIDTH 32 1/4"; RAMP LENGTH 12"

PL50 FRONT ELEVATION

MANUAL CRANK  
INSERT  
LOCATION

OPTION CALL-SEND  
CONTROLS  
(LOCATED BY  
DEALER)

UNIT CONTROL  
BOX

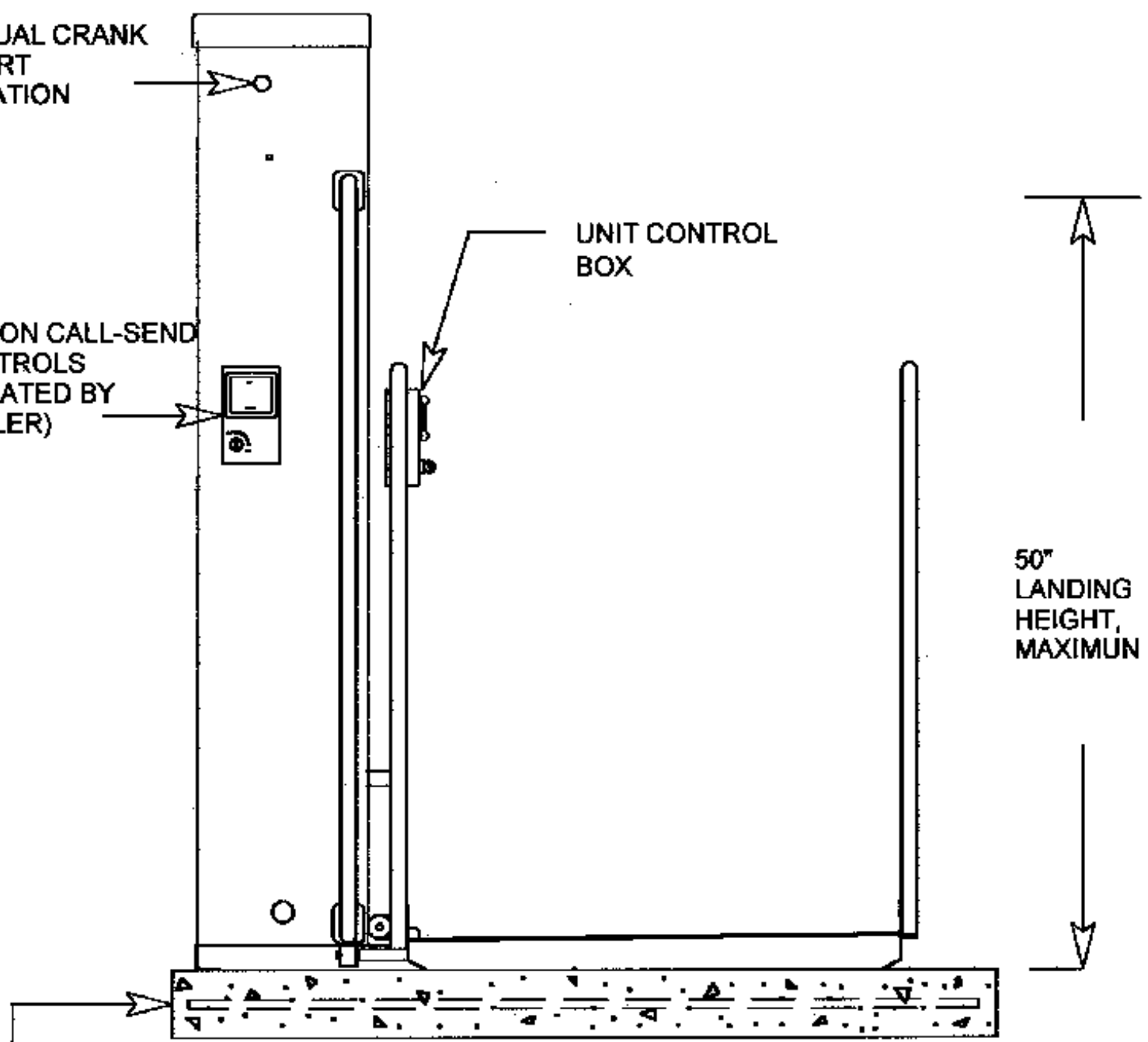
50"  
LANDING  
HEIGHT,  
MAXIMUM

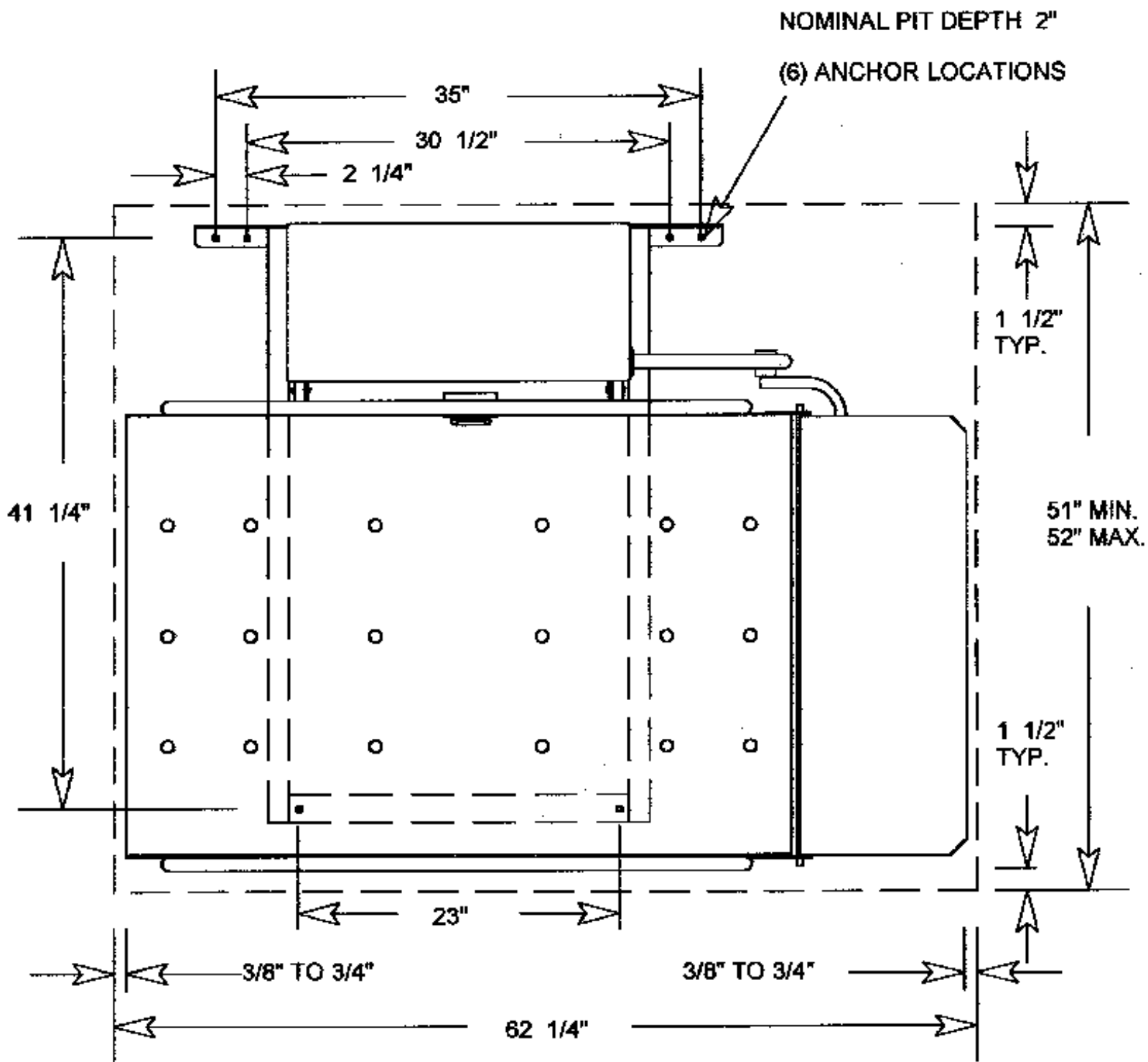
(SEE ANCHOR MOUNTING DETAIL)

4" THICK 3500LB PSI REINFORCED CONCRETE SLAB FOR MOUNTING

PLATFORM LENGTH 48"; PLATFORM WIDTH 32 1/4"; RAMP LENGTH 12"

PL50 SIDE ELEVATION





PLATFORM LENGTH 48"; PLATFORM WIDTH 32 1/4"; RAMP LENGTH 12"

PL50 FLOOR LAYOUT

REMOVEABLE FRONT PANELS (2 EACH) PROVIDES ACCESS TO THE DRIVE MECHANISM.

MANUAL CRANK INSERT LOCATION

UNIT CONTROL BOX

50" LANDING HEIGHT, MAXIMUM

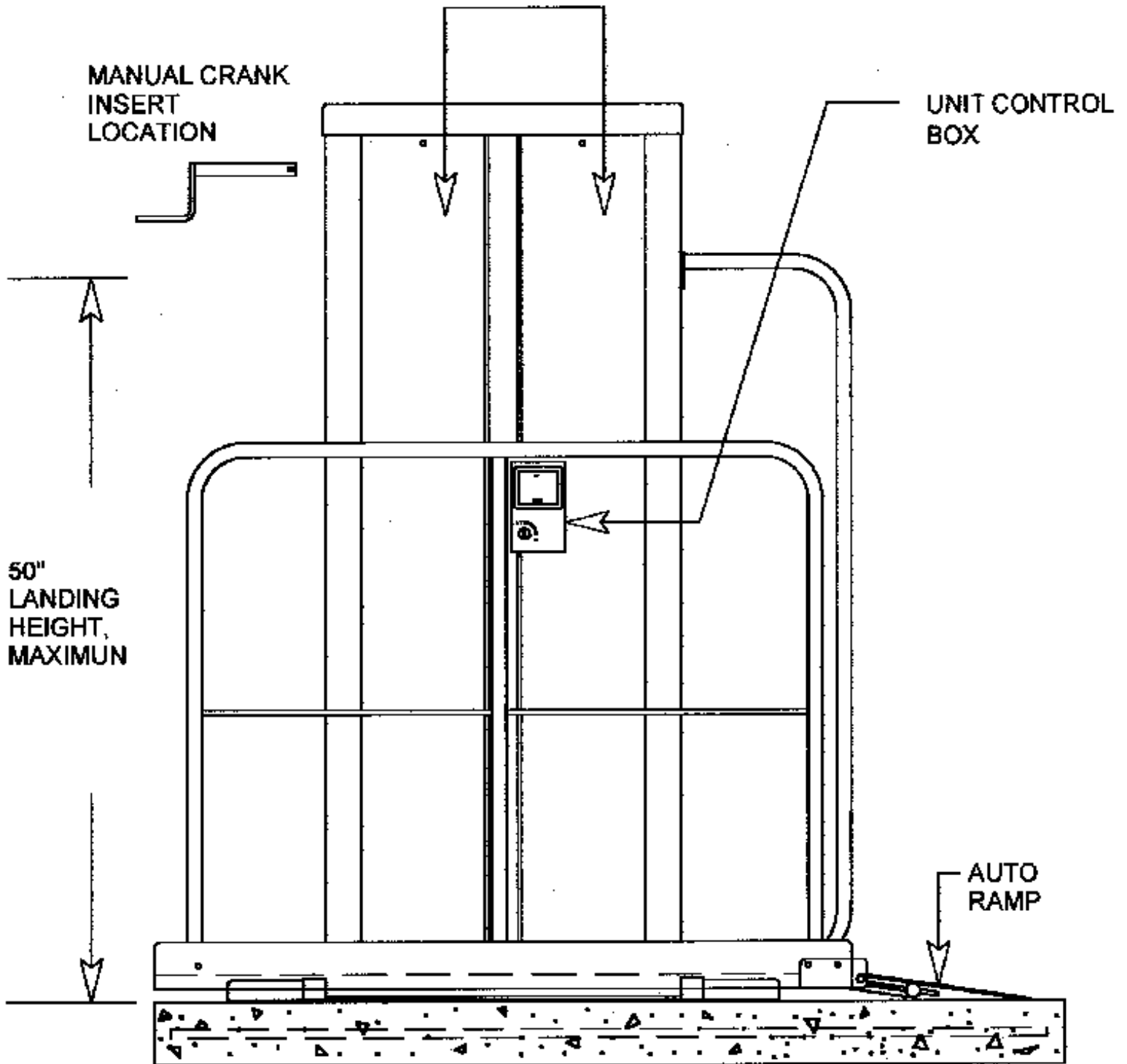
AUTO RAMP

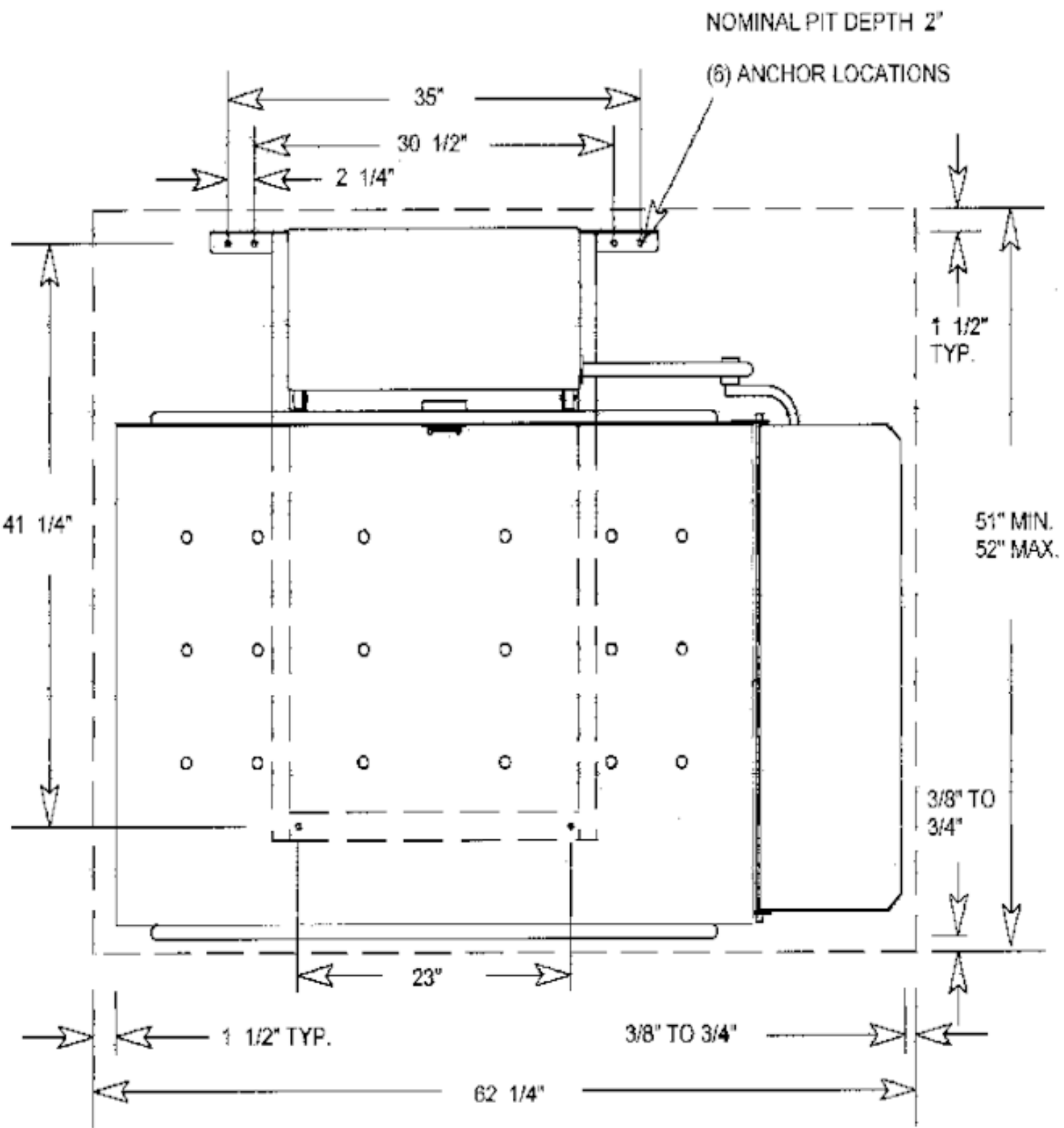
(SEE ANCHOR MOUNTING DETAIL)

4" THICK 3500LB PSI REINFORCED CONCRETE SLAB FOR MOUNTING

PLATFORM LENGTH 48"; PLATFORM WIDTH 32 1/4"; RAMP LENGTH 12"

PL50 FRONT ELEVATION





PLATFORM LENGTH 54"; PLATFORM WIDTH 35 1/2"; RAMP LENGTH 12"

PL50 LARGE PLATFORM FLOOR LAYOUT

REMOVEABLE FRONT PANELS (2 EACH) PROVIDES ACCESS TO THE DRIVE MECHANISM.

MANUAL CRANK INSERT LOCATION

UNIT CONTROL BOX

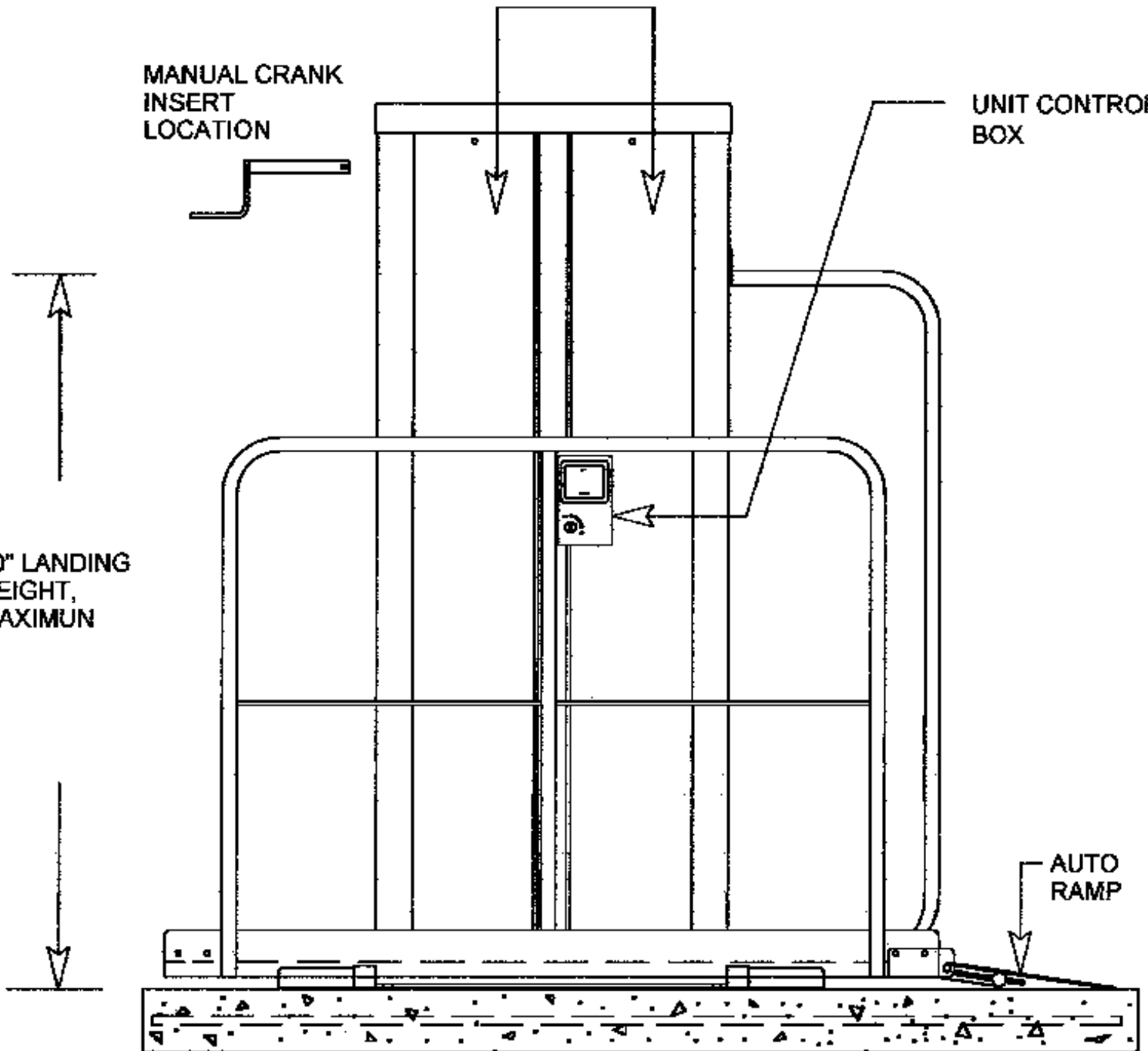
50" LANDING HEIGHT, MAXIMUM

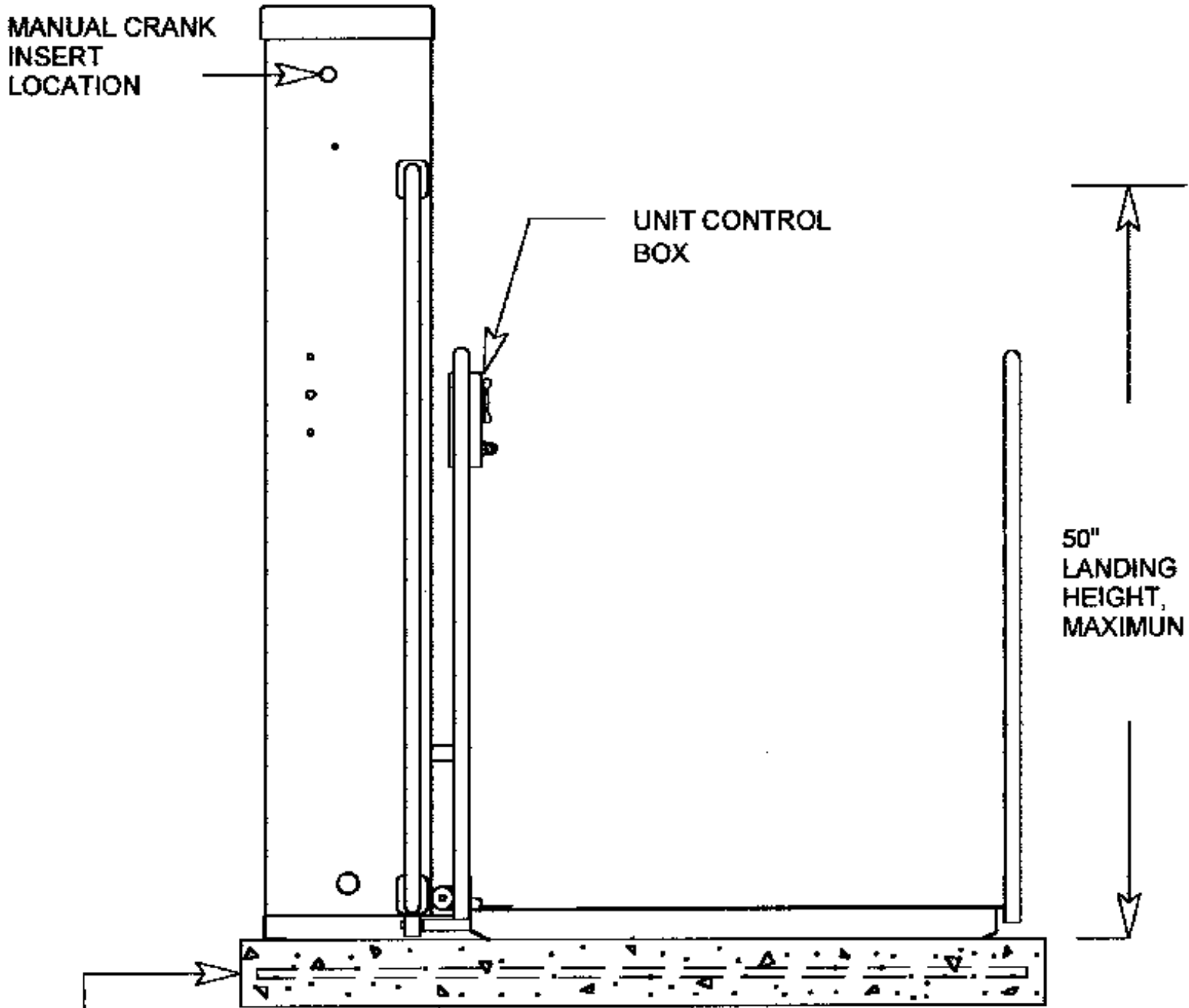
AUTO RAMP

(SEE ANCHOR MOUNTING DETAIL)

4" THICK 3500LB PSI REINFORCED CONCRETE SLAB FOR MOUNTING  
PLATFORM LENGTH 54"; PLATFORM WIDTH 35 1/2"; RAMP LENGTH 12"

PL50 LARGE PLATFORM FRONT ELEVATION





(SEE ANCHOR MOUNTING DETAIL)

4" THICK 3500LB PSI REINFORCED CONCRETE SLAB FOR MOUNTING

PLATFORM LENGTH 54"; PLATFORM WIDTH 35 1/2"; RAMP LENGTH 12"

PL50 LARGE PLATFORM SIDE ELEVATION

**MAC'S LIFT GATE INC.**

**VERTICAL HOME LIFT PL-50**

**NOTES:**

1. **FIELD ELECTRICAL WIRING AND CONNECTONS TO GATES, "CALL-SENDS" CONTROLS, INTERLOCKS AND MACHINE HOUSING TO BE INSTALLED BY OTHERS.**
2. **OUTLET: 115 VOLTS, 15 AMP, 60 HZ SEPARATE CIRCUIT. ALL ELECTRICALS BY OTHERS. DISCONNECT SWITCH PROVIDED BY OTHERS.**
3. **ALL LIGHTING BY OTHERS. NOT LESS THAN FIVE (5) FOOT CANDLES.**
4. **KEYED "CALL-SEND" CONTROLS. ALL WIRING ROUTED BY OTHERS.**
5. **SMOOTH VERTICAL FASCIA ON TOP LANDING SIDE. PROVIDED BY CONTRACTOR.**
6. **MACHINE BASE MUST BE ANCHORED TO A 4" THICK, 3500 PSI, LEVEL, REINFORCED CONCRETE PAD. PAD CONSTRUCTED BY OTHERS.**
7. **THERE MUST BE A MINIMUM OF 6"-8" OF CLEAR SPACE ABOVE THE UPPER LANDING FOR HEADROOM CLEARANCE. BY OTHERS.**
8. **UNIT MAY HAVE TO BE INSTALLED PRIOR TO COMPLETION OF CONSTRUCTION.**
9. **ANY ALTERATIONS TO EQUIPMENT WITHOUT WRITTEN AUTHORIZATION OF MAC'S LIFT GATE INC. WILL VOID ALL WARRANTIES.**

**SPECIFICATIONS:**

**MOTOR:** 1/2 H.P., 1725 RPM, 120VAC, 5.9 AMP, 60 HZ. INSTANT REVERSING, THERMALLY PROTECTED TYPE M, FACTORY SEALED BEARINGS, AND

**DRIVE MECHANISM:** HORIZONTAL MOUNTED.  
WORM DRIVE GEAR BOX, AND CHAIN WITH SAFETY DEVICE AND ONE V-BELT PULLEY.

**SAFETY DEVICES:** UPPER & LOWER LIMIT SWITCHES  
24 V.A.C. FROM TRANSFORMER IN CONTROLLER FOR CONTROL CIRCUITS, SAFETY CIRCUITS, PLATFORM CONTROLS, 24 VAC RELAYS. GROUNDED ELECTRICAL SYSTEM.  
CHAIN SAFETY DEVICE.  
KEY LOCKS ON CONTROLS.  
NON-SLIP SURFACE ON PLATFORM AND RAMP.  
AUTOMATIC ACCESS RAMP  
RATED FOR 600 LBS @ 10 F.P.M. VERTICAL LIFTING SPEED WITH A SAFETY FACTOR OF 5.0 TIMES RATED LOAD.

**CONSTRUCTION:** 1 1/2" X 1 1/2" X 1/4" STEEL TUBE FRAME.  
14 GAUGE C.R.S. MACHINE CABINET  
13 GAUGE C.R.S. PLATFORM  
11 GAUGE C.R.S. RAMP  
1" OD X 11 GAUGE STEEL TUBE GUARD RAIL

**OPTIONS:**

**CALL SEND SWITCHES, ONE FOR UPPER LANDING, ONE MOUNTED TO TOWER. BOLT ON PLATFORM, UPPER LANDING GATE**